

# F.I.E. MISCELLANEOUS ACCESSORIES

## HARDWOOD GRIPS FIE SUPER TITAN II AND EXCAM MODEL GT-XE

New, factory-original grips for .32 and .380 calibers.

ITEM# 349430 **\$11.25pr** or **2+/\$9.30pr**



## MAGAZINE FOR FIE AND EXCAM MODELS

Magazines to fit FIE Model Super Titan II and Excam Model GT .32XE and .380XE. Blued-steel with black plastic finger grip extensions, factory-original. Holds 12 rounds of .32 caliber or 10 rounds of .380 caliber ammunition.

ITEM#349440 **\$22.50**



## DERRINGER GRIPS FOR FIE AND EXCAM MODELS

Checked wood or black plastic grips fit the FIE D86 and D38 and the Excam TA38.

Plastic ITEM# 58600

**\$7.90/pr** or **2+/\$7.05pr**

Wood ITEM# 58630

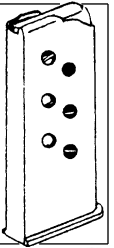
**\$14.55pr** or **2+/\$13.05pr**



## .25ACP MAGAZINES FOR FIE, EXCAM & GUISEPPE MODELS

Steel magazines fit Titan E-27, Targa GT-27 and Armi Tanfoglio Guiseppe GT-27.

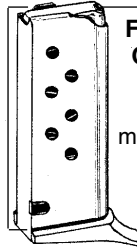
ITEM# 60130 **\$29.40**



## FIE/EXCAM/TARGA GT-26 & GT-28 PISTOLS - 7 ROUND MAGAZINE

Factory original blued-steel magazine with black plastic finger extension in .25 ACP caliber.

ITEM#702980 **\$14.05**



## FIE E-22 / EXCAM GT-22 ORIGINAL 10 ROUND .22 LR MAGAZINE

Blued-steel with black plastic finger extension.

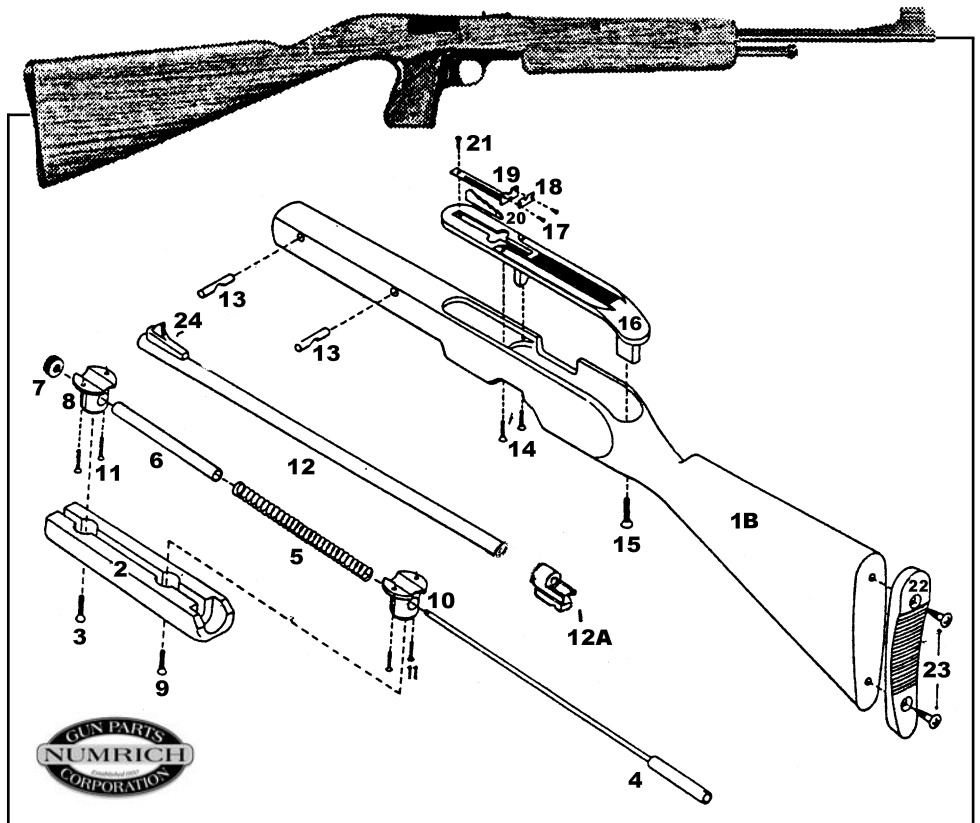
ITEM#197390 **\$21.95**



# FIREARMS INTERNATIONAL

# COMBO PISTOL/CARBINE .22 LR

| KEY# | ITEM# | DESCRIPTION                            | PRICE   |
|------|-------|--|---------|
| 1A   | 57320 | Stock (Barrel Over/Wood), NI           | \$44.95 |
| 1B   | 57330 | Stock (Barrel Under/Wood)              | 44.95*  |
| 2    | 57520 | Forend                                 | 20.85*  |
| 3    | 57530 | Forend Screw, Front                    | 2.60    |
| 4    | 57540 | Pushrod                                | 9.25*   |
| 5    | 57550 | Pushrod Spring                         | 2.85*   |
| 6    | 57560 | Pushrod Tube                           | 6.50*   |
| 7    | 57570 | Pushrod Cap                            | 3.85*   |
| 8    | 57580 | Barrel Block, Front                    | 5.10    |
| 9    | 57590 | Forend Screw, Rear                     | 2.60    |
| 10   | 57600 | Barrel Block, Rear                     | 5.10    |
| 11   | 57620 | Barrel Block Screw (4 Req'd)           | 1.70ea* |
| 12   | 57640 | Barrel Assembly                        | 27.00*  |
| 12A  | 57670 | Barrel Extension                       | 8.95    |
| 12B  | 57660 | Barrel (Less Sight & No Extension), NI | 11.25   |
| 13   | 57850 | Stock Pin (2 Req'd)                    | 1.95ea* |
| 14   | 57860 | Front Hood Screw (2 Req'd)             | 1.95ea  |
| 15   | 57880 | Rear Hood Screw                        | 1.55*   |
| 16   | 58980 | Hood Complete With Sight               | 16.85   |
| 17   | 59040 | Rear Sight Plate Screw (2 Req'd)       | 1.70ea* |
| 18   | 59070 | Rear Sight Plate                       | 2.60*   |
| 19   | 59100 | Rear Sight Leaf                        | 2.85*   |
| 20   | 59120 | Elevator                               | 1.45*   |
| 21   | 59170 | Rear Sight Mounting Screw              | 1.70    |
| 22   | 59200 | Buttplate                              | 14.05*  |
| 23   | 59230 | Buttplate Screw (2 Req'd)              | 1.70ea  |
| 24   | 59250 | Front Sight                            | 4.00    |



NI = NOT ILLUSTRATED \* = PART IS IN LIMITED QUANTITY. PLACE THE ITEM OR ITEMS ON ORDER, AND WE WILL SHIP THEM IF AVAILABLE.